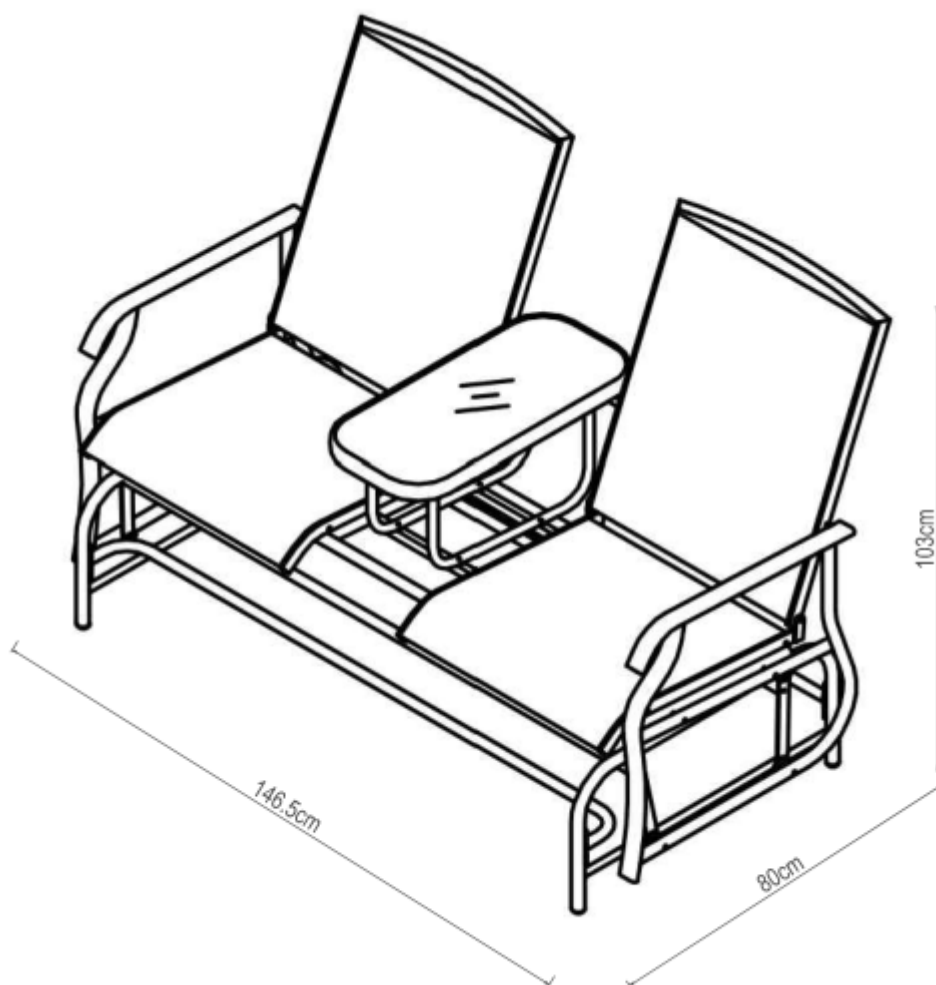


# ASSEMBLY INSTRUCTIONS

## ANTHONY

Grey 2 Seat Outdoor Swing

ITEM CODE:69690



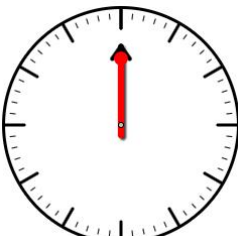
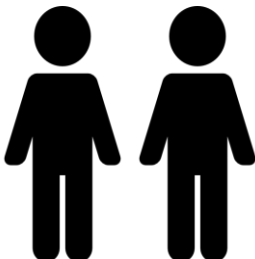
Imported by JWA Furniture Pty Ltd, Brisbane, QLD, Australia

For any assistance with assembly or for missing parts, please refer to your receipt











## PRE-ASSEMBLY PREPARATION













### Before you start:

1. Choose a clean, level, spacious assembly area. Avoid hard surfaces that may damage the product
2. Take care when lifting. Product should be assembled as near as possible to the point of use
3. Ensure that you have all required contents for complete assembly
4. Always read the assembly instructions carefully before beginning assembly.
5. Keep all hardware parts and packaging out of reach of small children.
6. Do not over tighten the screws and bolts as this may damage the threads
7. Assembly is to be carried out by a competent adult(s) ONLY
8. During assembly, children should be kept away from the product due to possible risk to injury.
9. Do not use this item if any components are missing or damaged.
10. Please keep the instructions for future reference.

	
Allow 60 min	For 2 person




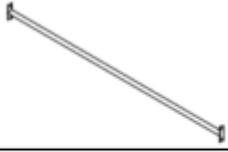



# PARTS LIST

<p>A. Right foot part</p>  <p>1PC</p>	<p>B. Left foot part</p>  <p>1PC</p>
<p>C. Front connecting parts</p>  <p>1PC</p>	<p>D. Rear connection part</p>  <p>1PC</p>
<p>E. Swing arm</p>  <p>2PCS</p>	<p>F. Right armrest</p>  <p>1PC</p>
<p>G. Left armrest</p>  <p>1PC</p>	<p>H. Base and back plate</p>  <p>1PC</p>
<p>J. Right tea table support</p>  <p>1PC</p>	<p>K. Left tea table support</p>  <p>1PC</p>

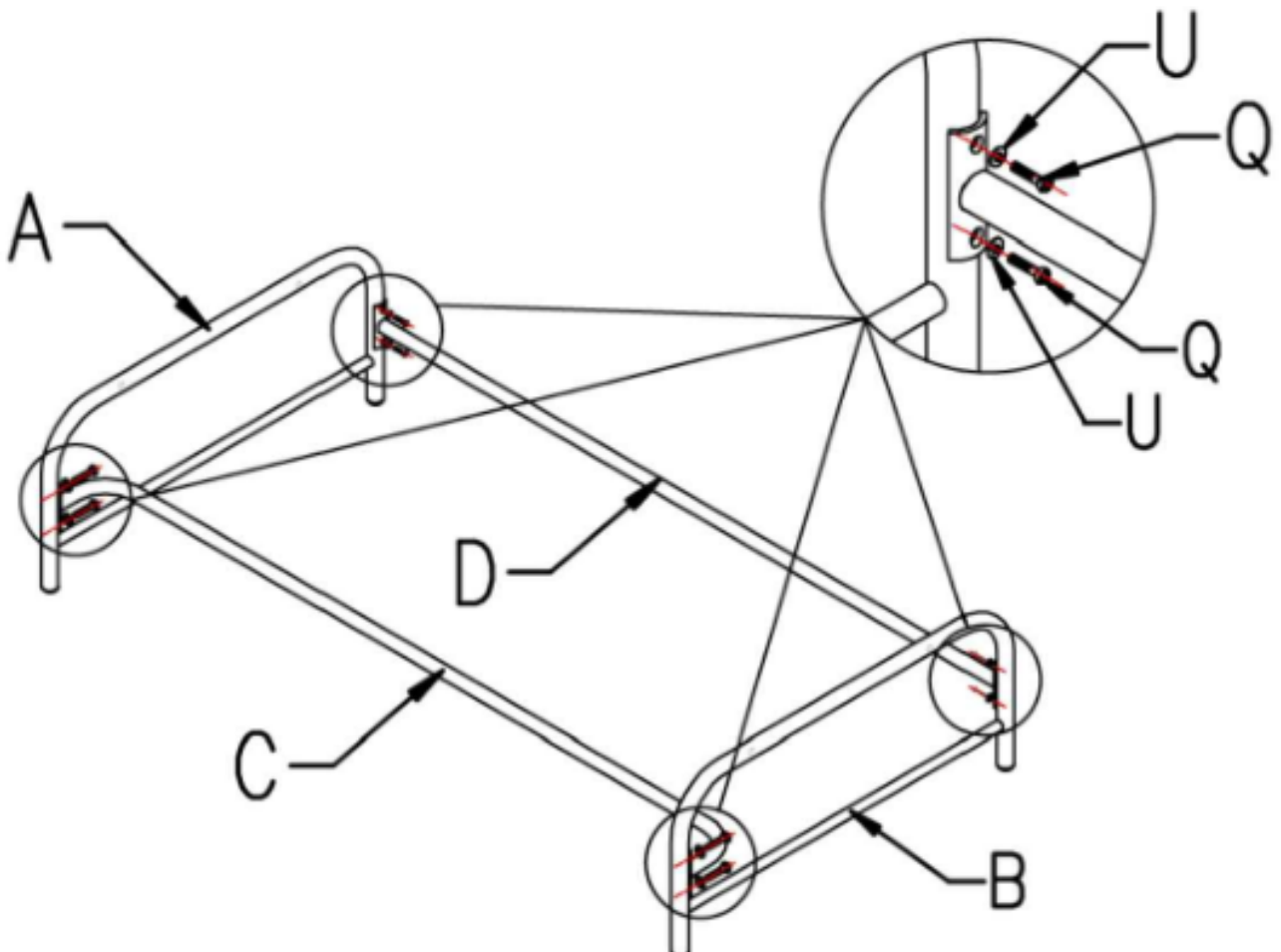
<p>L. Tea table panel</p>  <p>1PC</p>	<p>M. Tea table connecting parts</p>  <p>1PC</p>
<p>N. Plastic Washer</p>  <p>10PCS</p>	<p>P. Plastic Washer</p>  <p>4PCS</p>
<p>Q. Bolt</p>  <p>M6*15 , 12PCS</p>	<p>R. Bolt</p>  <p>M6*30 , 6PCS</p>
<p>S. Bolt</p>  <p>M6*48 , 12PCS</p>	<p>T. Bolt</p>  <p>M6*55 , 4PCS</p>
<p>U. Washer</p>  <p>M6 , 34PCS</p>	<p>V. Nut</p>  <p>M6 , 16PCS</p>
<p>AA. Allen Key</p>  <p>M6 , 1PC</p>	<p>BB. Wrench</p>  <p>M6 , 1PC</p>

## Step 1

You will need the following








A. Right foot part 1PC 	B. Left foot part 1PC 	C. Front connecting parts 1PC 	D. Rear connection part 1PC 
Q. Bolt  M6*15, 8PCS	U. Washer  M6, 8PCS	AA. Allen Key  M6, 1PC	

- Prepare a surface with a blanket or cardboard.
- Prepare 8x bolt Q sets. Thread bolt(Q) through washer(U).
- Connect part(C) and part(D) to part(A) and part(B) as shown below.
- Secure with 2x bolt Q sets at each connection, fasten with Allen Key(AA).

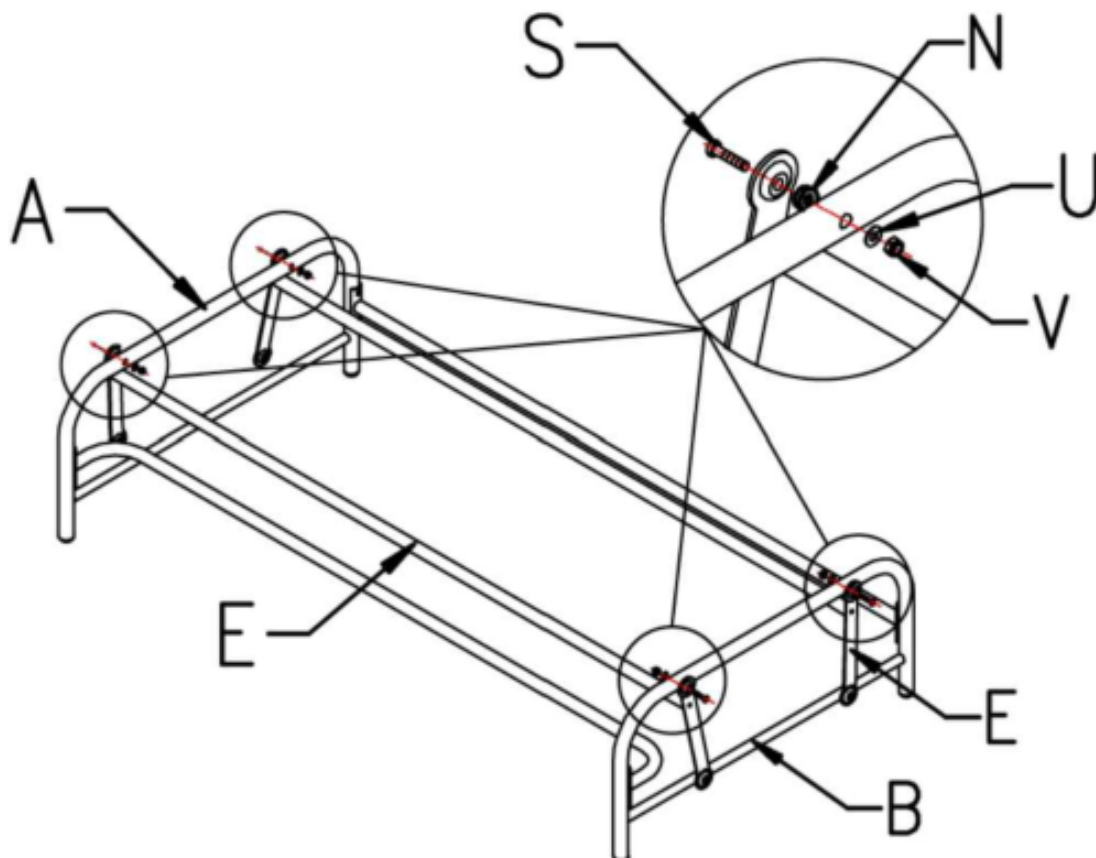


## Step 2

You will need the following









E. Swing arm 2PCS 					BB. Wrench  M6, 1PC
S. Bolt  M6*48, 4PCS	N. Plastic Washer  M6, 4PCS	U. Washer  M6, 4PCS	V. Nut  M6, 4PCS	AA. Allen Key  M6, 1PC	

- Attach the 2x swing arms(E) to the frame. The short end of the late, closest to the rode connects to the feet(A&B). The long end of the plate faces down.
- Secure with bolt(S), threaded from the outside, through swing arm(E). Place the plastic washer(N) between the swing arm(E) and the feet(A&B) Lock the inside with washer(U) and nut(V). Fasten with Allen key(AA)and Wrench(BB), as shown below.
- Do this for all 4 connection points.

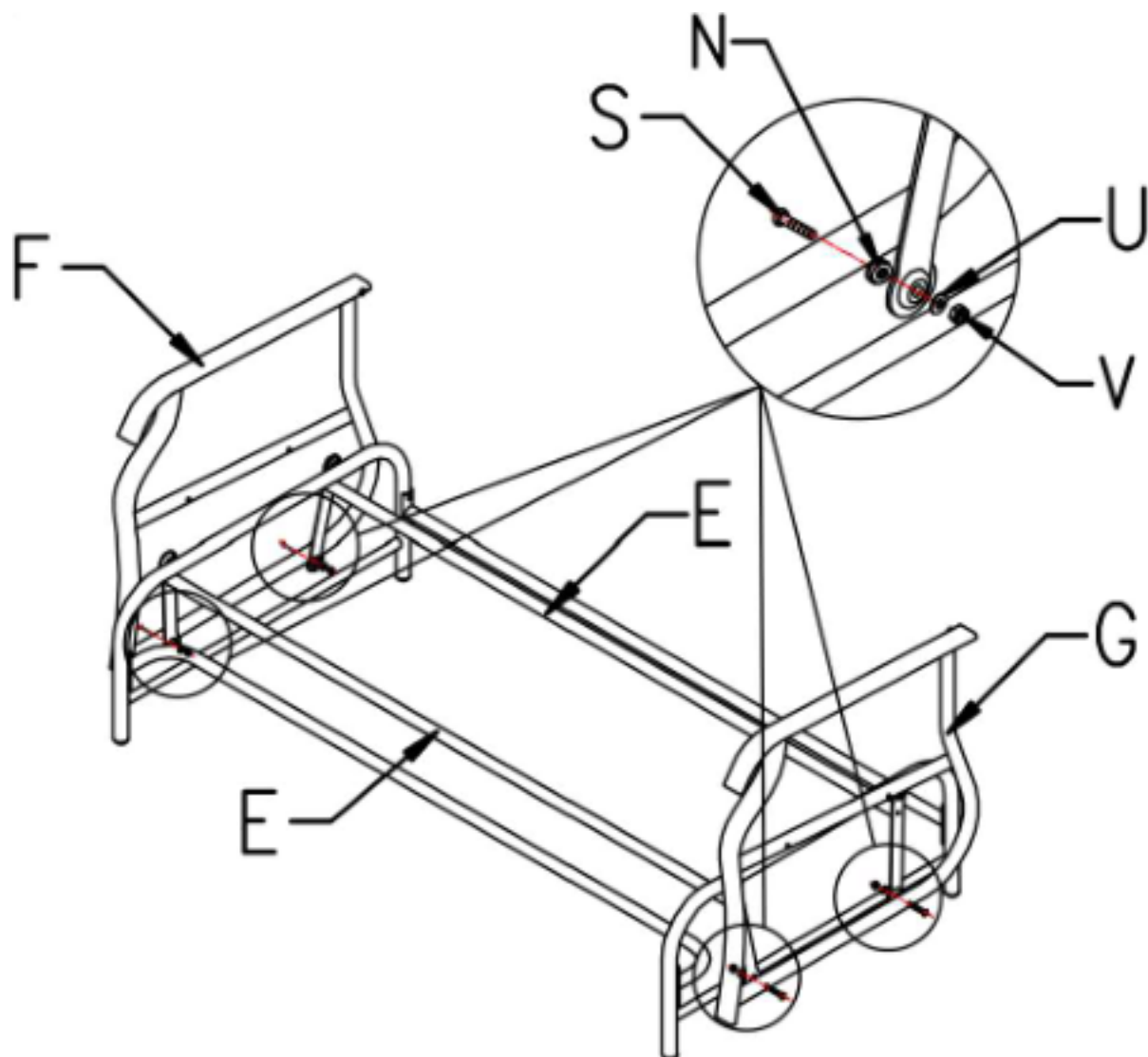


## Step 3

You will need the following







F. Right armrest 1PC 	G. Left armrest 1PC 	BB. Wrench  M6 ,1PC		
S. Bolt  M6*48 , 4PCS	N. Plastic Washer  M6 , 4PCS	U. Washer  M6 , 4PCS	V. Nut  M6 , 4PCS	AA. Allen Key  M6 ,1PC

- Attach right armrest(F) to the swing arms(E) as shown below.
- Thread bolt(S) from the outside through the armrest(F). Place the plastic washer(N) between the armrest and the swing arm. Lock the inside with washer(U) and nut(V). Fasten with Allen key(AA) and Wrench(BB), as shown below.
- Repeat for the left armrest(G).

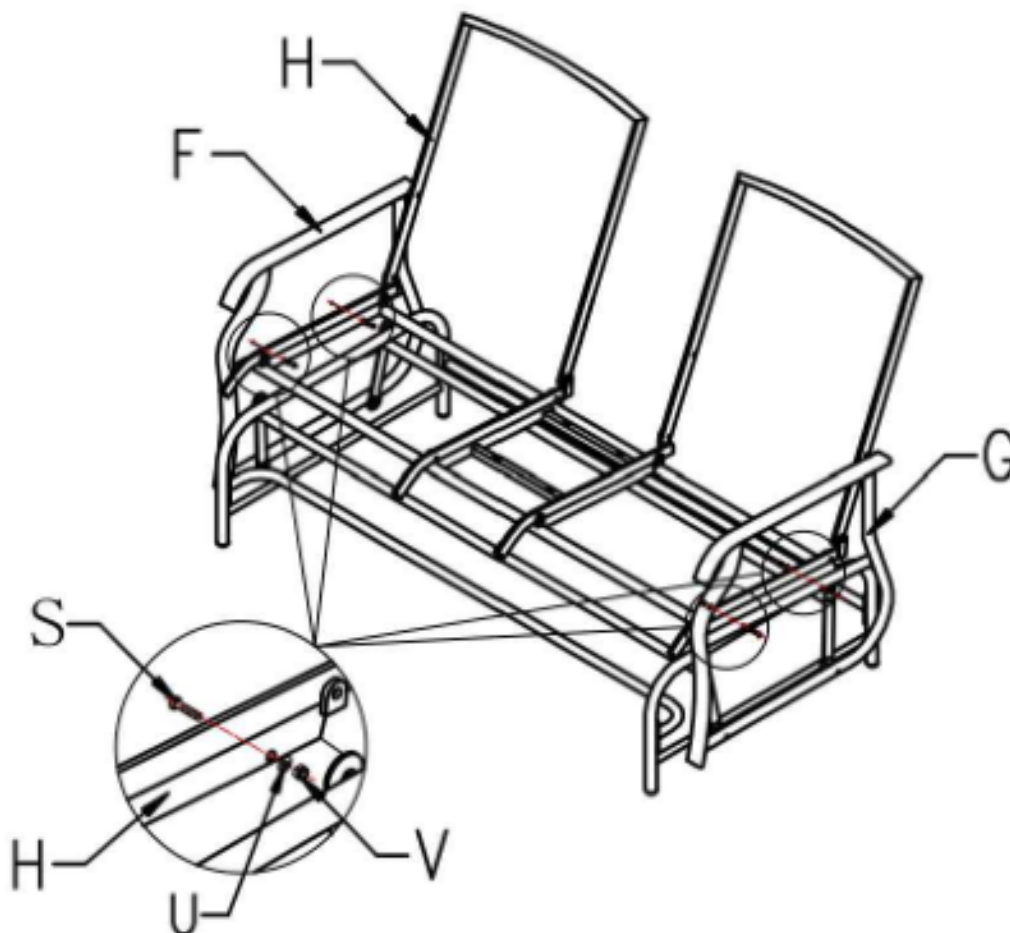


## Step 4

You will need the following





H. Base and back plate 1PC 	BB. Wrench  M6 ,1PC		
S. Bolt  M6*48 , 4PCS	U. Washer  M6 , 4PCS	V. Nut  M6 , 4PCS	AA. Allen Key  M6 ,1PC

- With the aid of a 2<sup>nd</sup> person, attach the base and back plate(H) to the armrests.
- Thread bolt(S) from the outside of the middle bar of the armrest, in through armrest and part(H). Lock the inside with washer(U) and nut(V). Fasten with Allen key(AA) and Wrench(BB), as shown below. You will need to bolts per armrest.

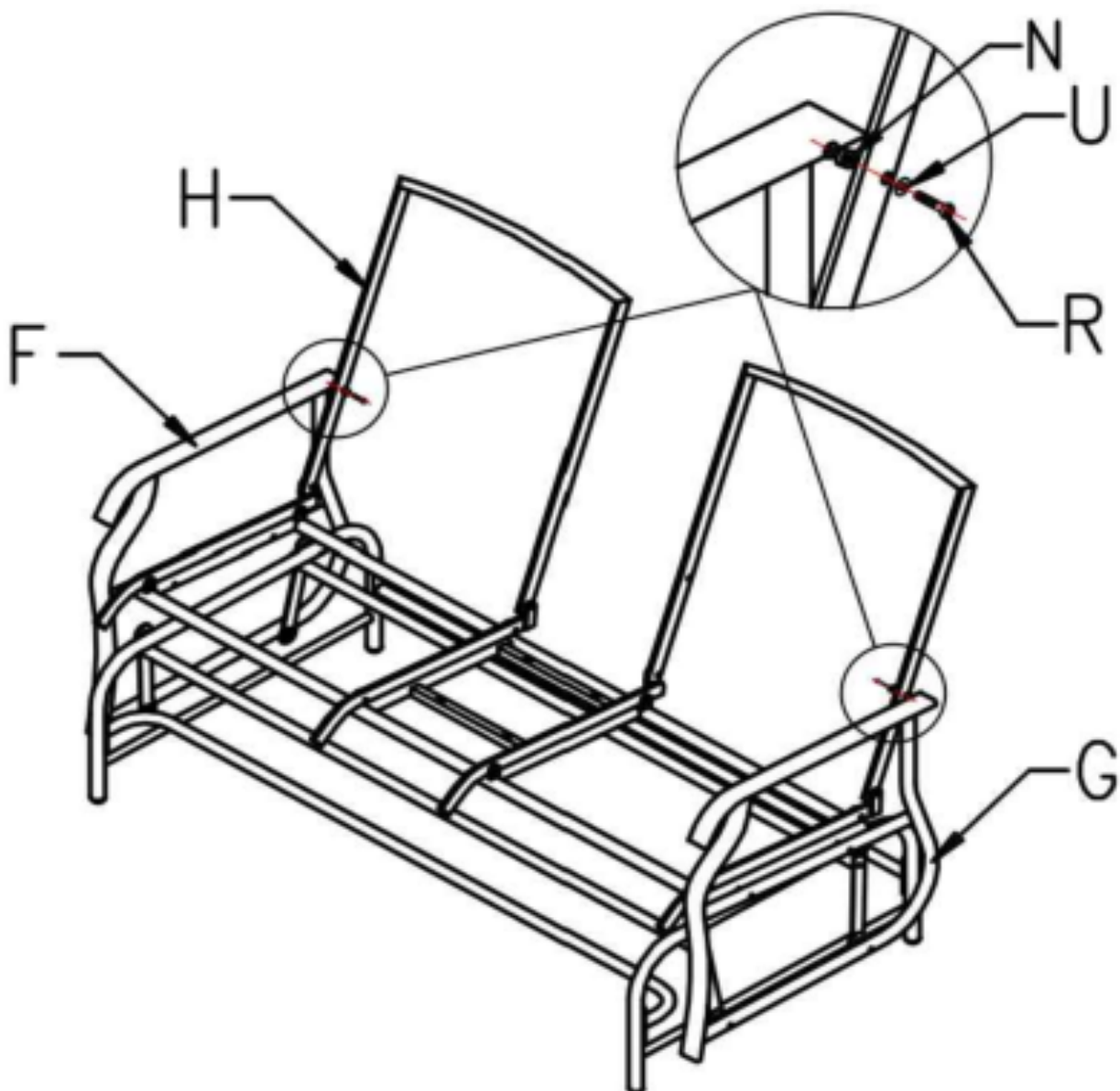


## Step 5

You will need the following

R.	Bolt	N.	Plastic Washer	U.	Washer	AA.	Allen Key
							
M6*30 , 2PCS		M6 , 2PCS		M6 , 2PCS		M6 , 1PC	







- Connect the top of the armrest to part(H).
- Prepare 2x bolt R set, thread bolt(R) through washer(H)
- Thread bolt R set from the inside of part(H) outwards. Place plastic washer(N) between the armrest and part(H). Fasten with Allen key(AA).



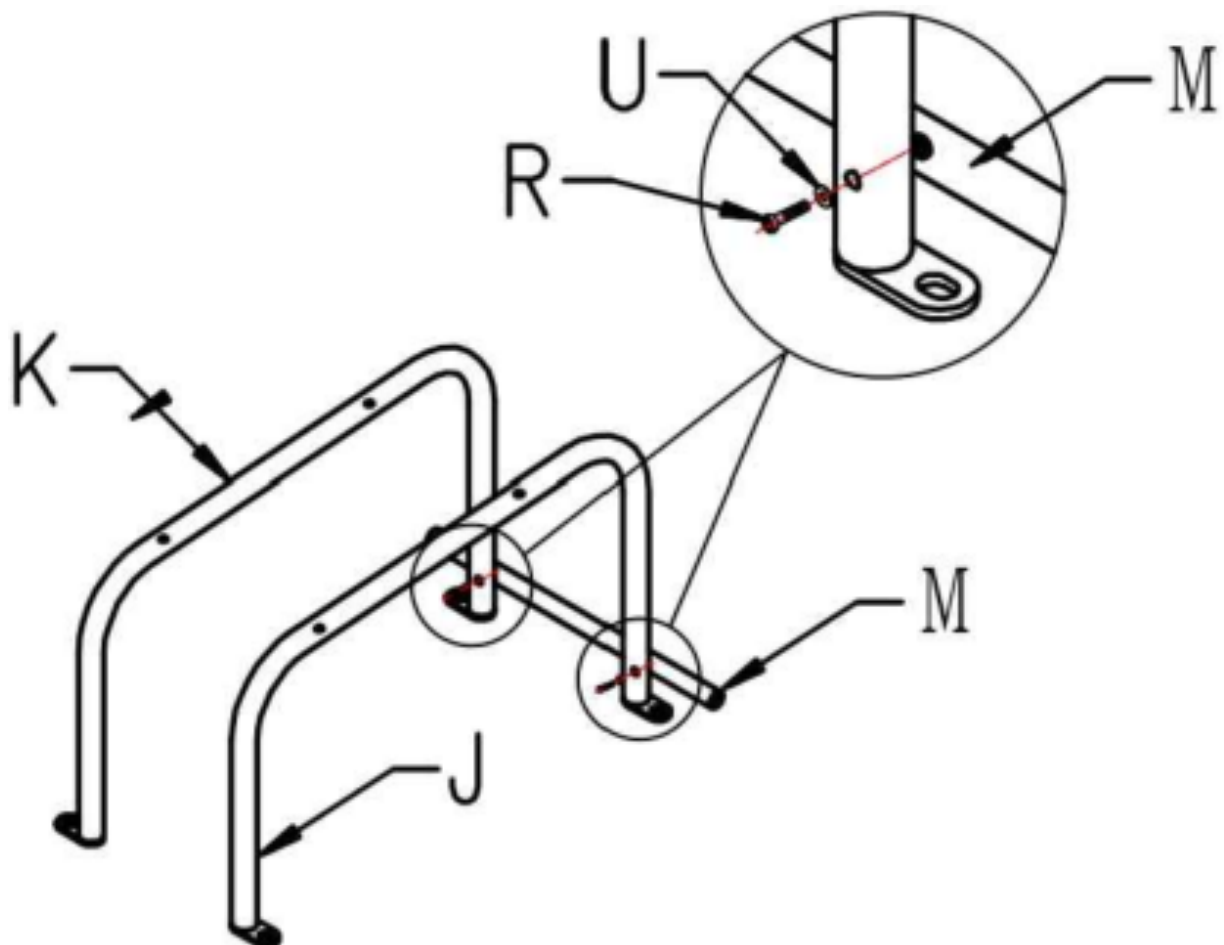


## Step 6

You will need the following





J. Right tea table support 1PC 	K. Left tea table support 1PC 	M. Tea table connecting part 1PC 
R. Bolt  M6*30, 2PCS	U. Washer  M6, 2PCS	AA. Allen Key  M6, 1PC

- Stand left and right tea table support(J&K) on the floor, attach the tea table connecting part(M) to the supports, as shown below.
- Prepare 2x bolt R sets by threading bolt(R) through washer(U).
- Connect parts(J&K) to part(M) with bolt R sets, fasten with Allen key(AA).

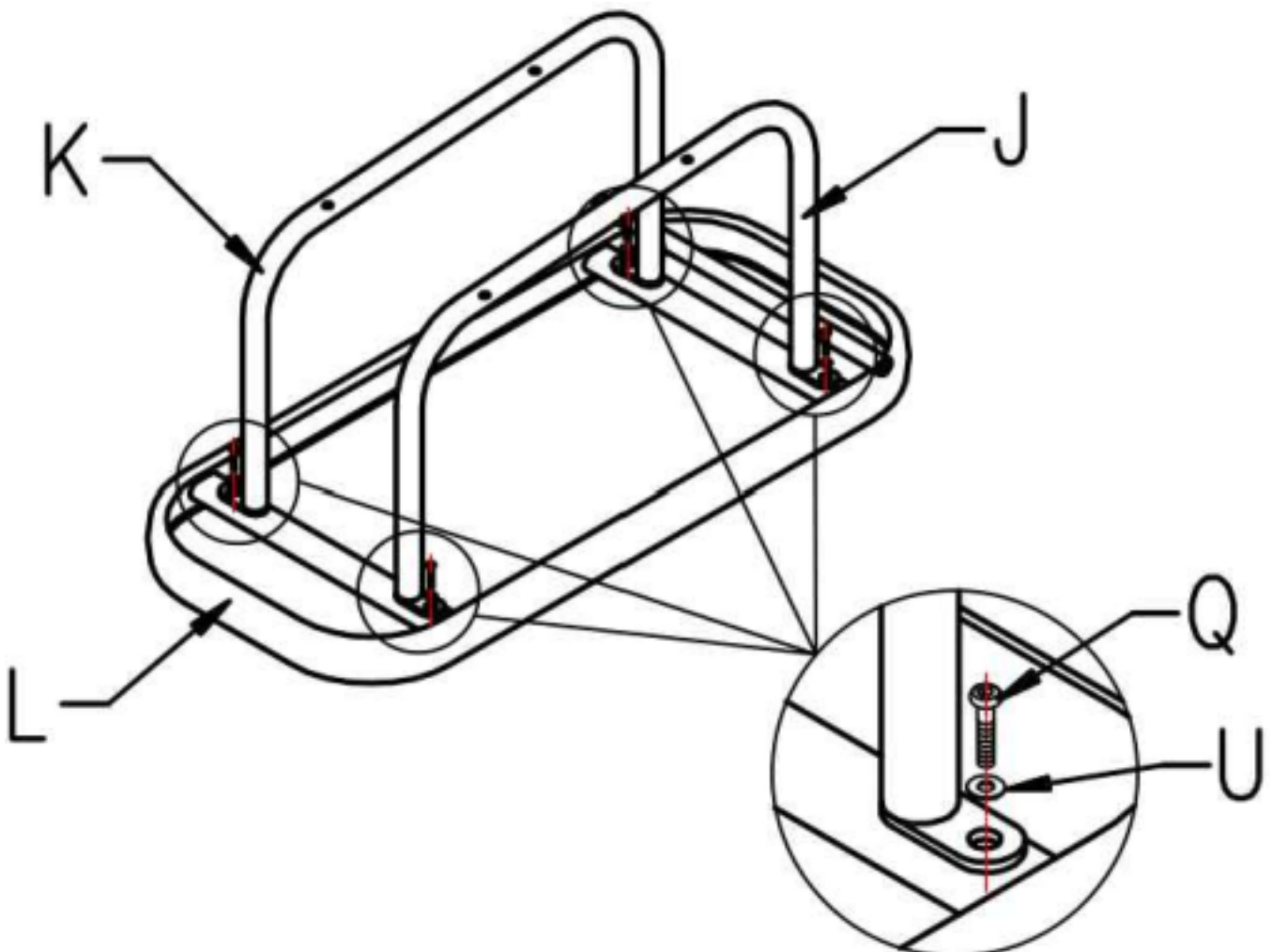


## Step 7

You will need the following




L. Tea table panel 1PC 		
Q. Bolt  M6*15, 4PCS	U. Washer  M6, 4PCS	AA. Allen Key  M6, 1PC

- Place the tea table panel(L) upside down on the prepared surface.
- Place the completed table base on to part(L), as shown below.
- Prepare 4x bolt R sets by threading bolt(R) through washer(U).
- Secure the frame to the panel with bolt R sets and fasten with Allen key (AA).

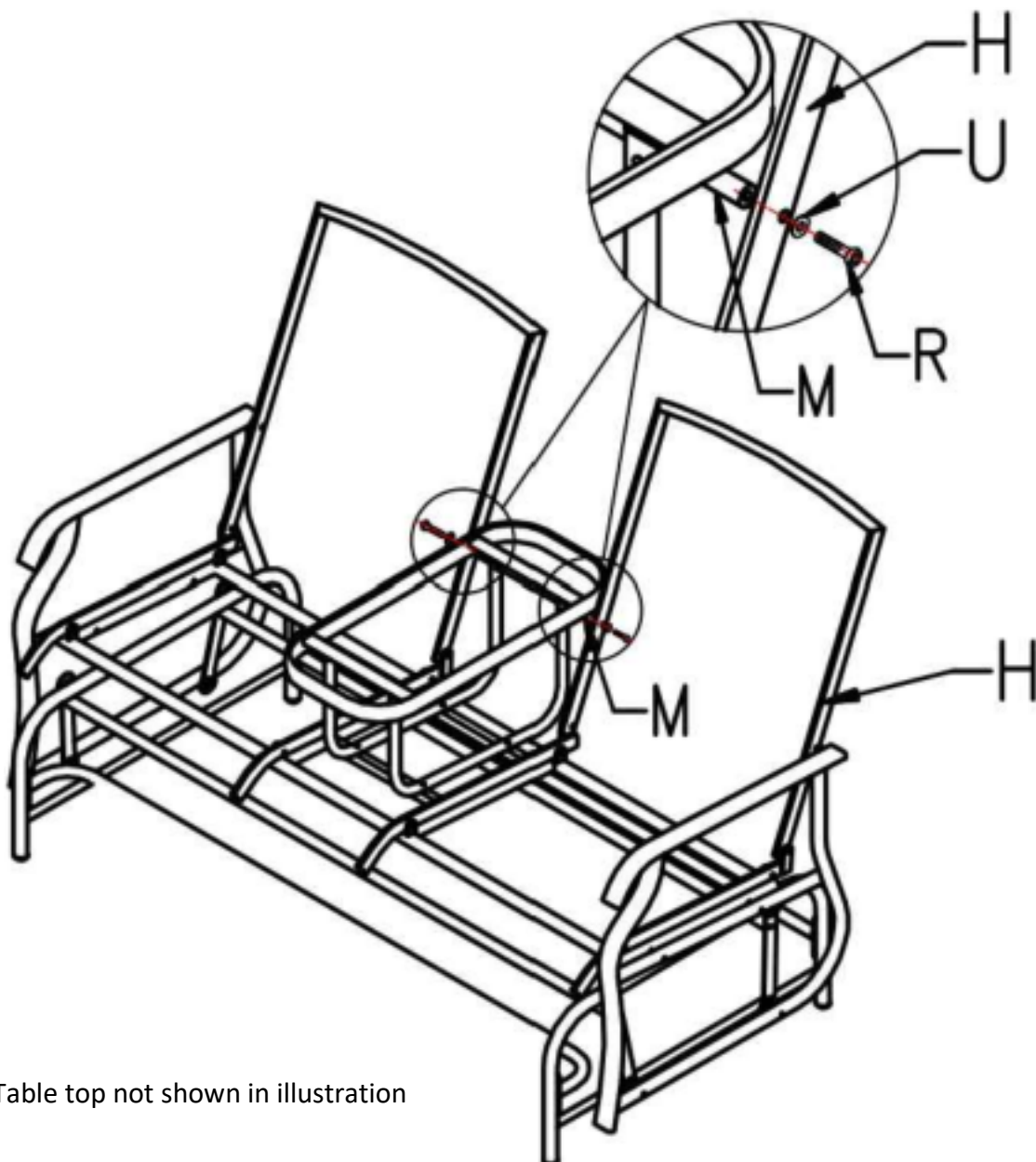


## Step 8

You will need the following

R.	Bolt	U.	Washer	AA.	Allen Key
					
M6*30 , 2PCS		M6 , 2PCS		M6 , 1PC	







- Place the completed table frame on the base and back plate(H), as shown below.
- Prepare 2x bolt R sets by threading bolt(R) through washer(U)
- Secure the table to the chair with a bolt R set on either side of the table, as shown below. Fasten with Allen key(AA).



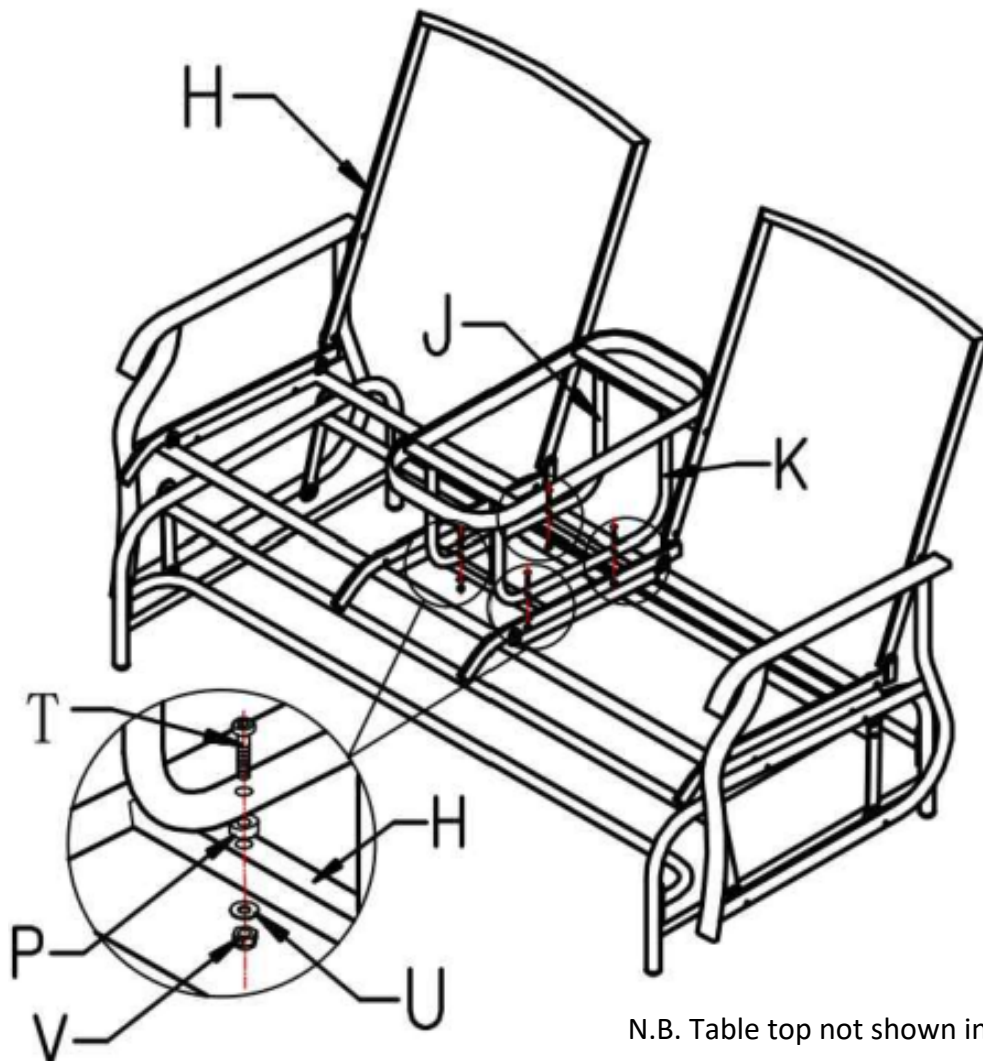
N.B. Table top not shown in illustration

## Step 9

You will need the following

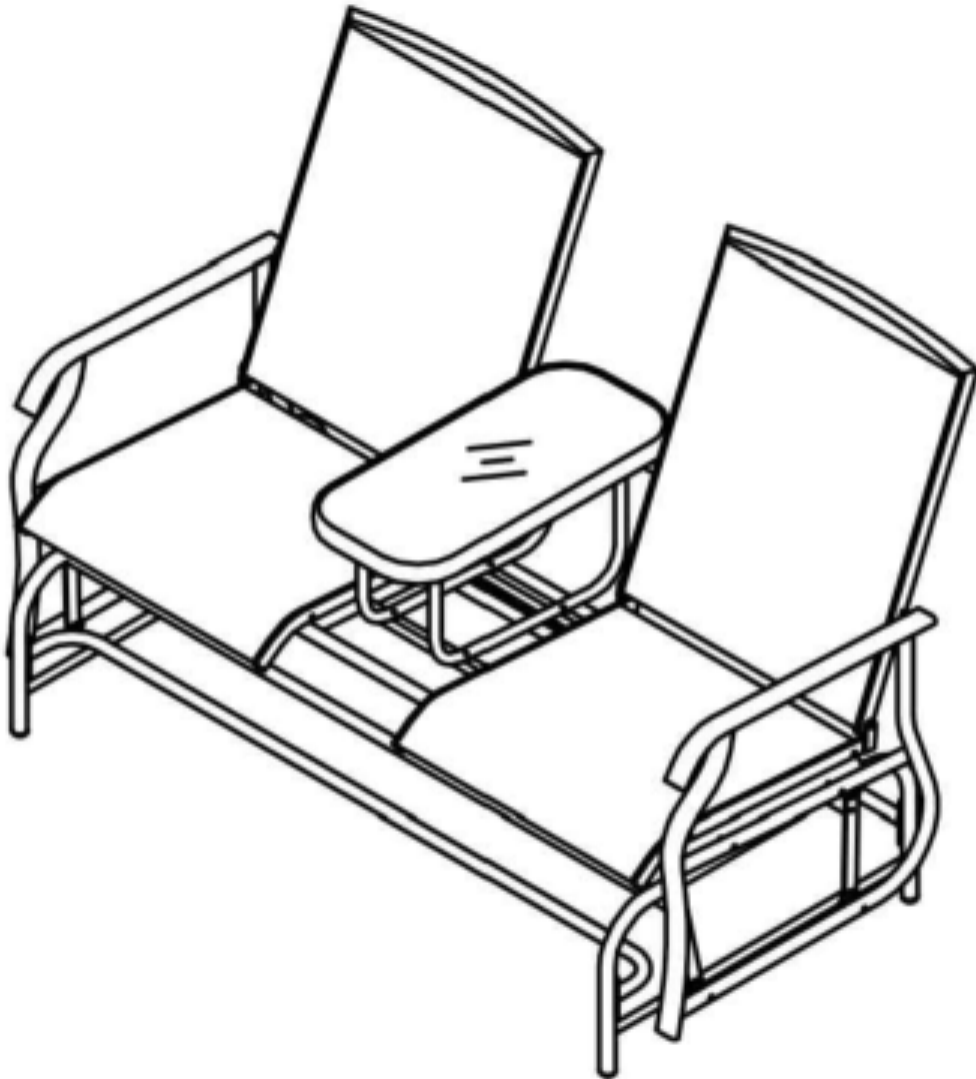
P. Plastic Washer 4PCS 			BB. Wrench  M6 ,1PC
T. Bolt  M6*55 , 4PCS	U. Washer  M6 , 4PCS	V. Nut  M6 , 4PCS	AA. Allen Key  M6 , 1PC

- Secure the bottom of the table to part(H)
- Insert bolt(T) down through the table as shown below. Insert plastic washer(P) in-between the table and the seat. Concave side up, flat side down. Lock the other side the bolt with washer(U) and nut(V), as shown below.
- Fasten with Allen key(AA) and wrench(BB).



N.B. Table top not shown in illustration

Assembly is complete



# PRODUCT CARE:

## Metal

- ☒ Item is designed for use outdoors. However we do not recommend leaving this product outside when not in use. To preserve the life of this item, avoid prolonged exposure to the elements & store inside/under cover or use an outdoor cover.
- ☒ DO NOT allow the furniture to be left in the rain or left wet for extended periods of time.
- ☒ Wipe furniture Dry immediately after it becoming wet.
- ☒ DO NOT clean your furniture down with any harsh solvents, abrasives or chemicals.
- ☒ To remove dirt and grime, simply rinse with fresh water or periodically clean using a sponge and mild detergent solution as required

## Glass

- ☒ If the glass is chipped or broken, stop using the product and consult place of purchase .
- ☒ Do not drop, drag or strike glass .
- ☒ Do not sit or stand upon the glass surface .
- ☒ Do not place very hot or cold items on the glass surface unless adequately thick table mats are used to prevent such items coming in contact with the glass .
- ☒ Do not place heavy objects on glass .
- ☒ Avoid scratching the glass or using as a chopping surface .
- ☒ Do not strike the glass with hard or pointed items .
- ☒ When cleaning the glass panels use a damp cloth with washing up liquid or soft soap if necessary. Do not use washing powders or any other substances containing abrasives since these may scratch the glass.